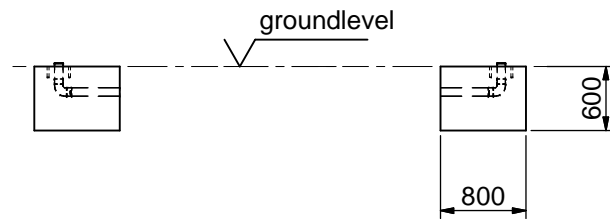
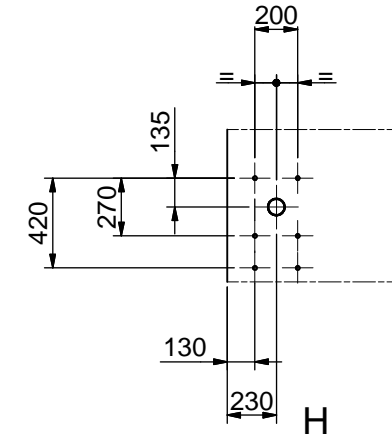
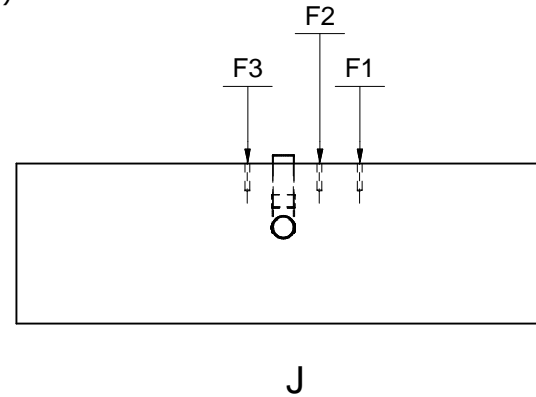
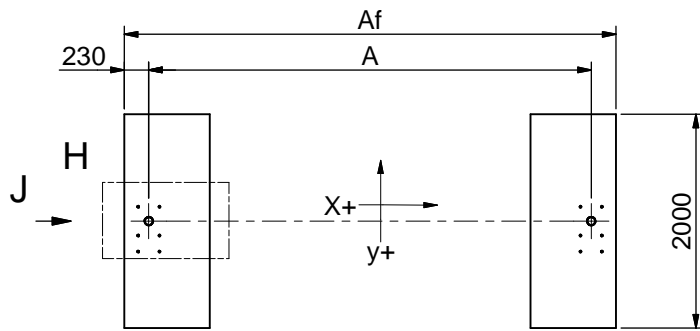


For all trackless sGates and top guided sGates with bar, perforated- and full plated infill larger than 2.50 meter height.
 Only for top guided sGates of up to maximum 2.50 meter height and with bar or perforated sheet infill,
 a slightly smaller foundation can be applied (see page 4 of this drawing).



Force on Anchors	Dimensions (WxH), (m)			Nt, Rd (KN)			Nc, Rd (KN)			Vy, Rd (KN)		
	F1	F2	F3	F1	F2	F3	F1	F2	F3	F1	F2	F3
Bars	6,0x4,0			1,0	31,0	32,0	2,0	35,0	32,0	2,0	2,0	2,0
Full Plating	3,0x4,0			1,0	35,0	36,0	2,0	38,0	36,0	2,0	2,0	2,0
	3,5x4,0			1,0	36,0	36,0	2,0	38,0	36,0	2,0	2,0	2,0
	4,0x3,0			1,0	27,0	28,0	2,0	30,0	27,0	2,0	2,0	2,0
	4,5x2,5			0,0	18,0	19,0	1,0	21,0	18,0	2,0	2,0	2,0
	5,0x2,0			0,0	12,0	14,0	1,0	16,0	13,0	2,0	2,0	2,0
Perforated Plating (Wind permeability min 44%)	4,5x4,0			1,0	31,0	32,0	2,0	34,0	32,0	2,0	2,0	2,0
	5,0x3,5			0,0	23,0	24,0	2,0	24,0	24,0	2,0	2,0	2,0
	5,5x3,0			0,0	18,0	20,0	1,0	19,0	19,0	2,0	2,0	2,0
	6,0x2,5			0,0	16,0	18,0	1,0	17,0	17,0	1,0	1,0	1,0

Explanation of the abbreviations:

Nt,Rd = pull force on anchors in KN

Nc,Rd = gravitational force on anchors in KN (starting point is that the footplates are not under

Vy,Rd = sideward force on anchors in KN (in the wind direction)

Remarks:

* the transverse forces occur evenly with the pull and gravitational forces

* the values in the table are rounded to whole numbers

* the calculated values are calculated based on the windload in windzone 1 in The Netherlands and where the sGate serves as a free-standing object

EN

Concrete quality: C35/45

Environmental class: XC4, XD3, XF2, XA2

Reinforcement : B500b

Cover around : 45mm

Specifications of the underground:

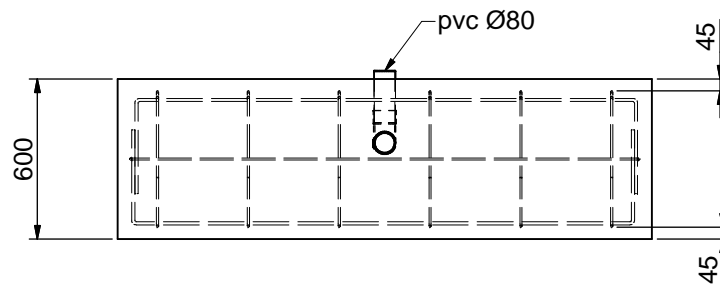
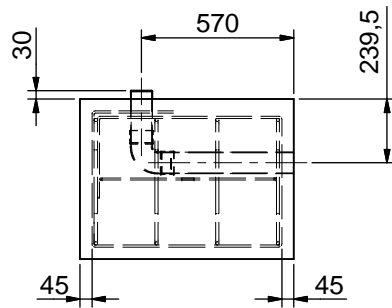
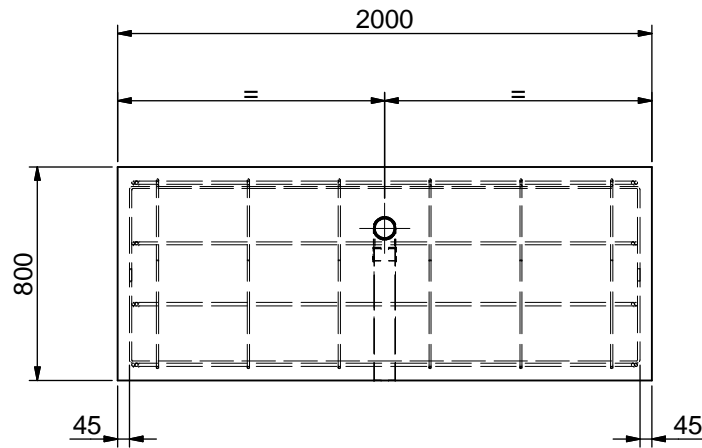
Degree of densification 6.0 MPA for cone resistance


At least 10cm sand under concrete foundation

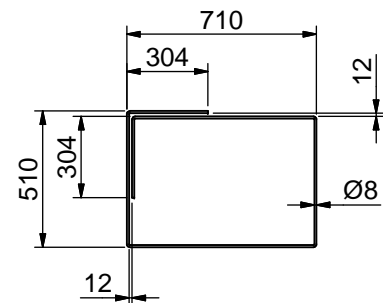
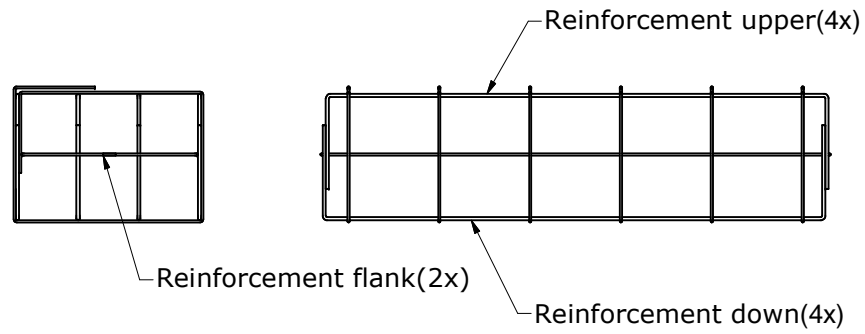
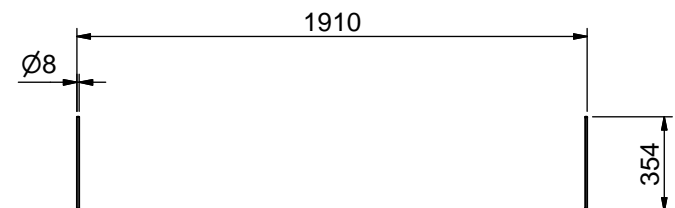
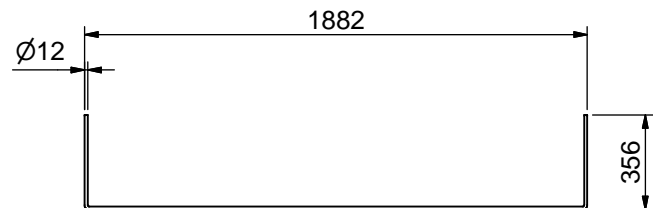
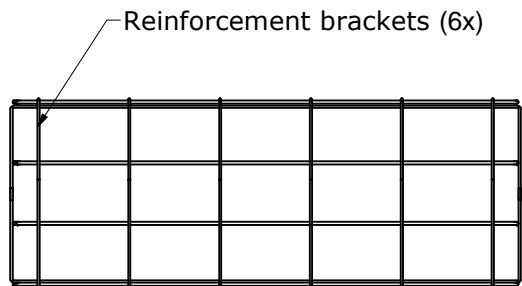
Deviations in execution without permission from Heras are not permitted

DRAWN BY: ev	DATE: 4-3-2016	ARTICLE CODE:	PRINCIPAL:
UNIT: mm	TOL.: ±0,5; ±1°		
SCALE: 1 : 50	PROJ.:	FORMAT:	SAP NO. / PROJECT:
MASS: 4453,06 kg		A3	
		DRAWING TITLE: sGate foundation trackless and top guided	
P.O. Box 30, 5688 ZG Oirschot, The Netherlands T +31 (0)499-551255 F +31 (0)499-551799	I www.heras.com E infoNL@heras.nl	PROJECT CODE:	PROJECT NO:
		DRAWING NO:	REV NO:
			SHEET: 1 v 6

This drawing is property of HERAS. Reproduction or disclosure to third parties in any form whatsoever is not allowed without explicit written consent of HERAS.

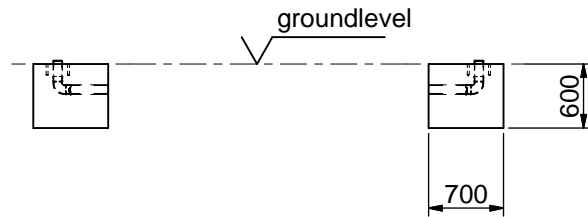
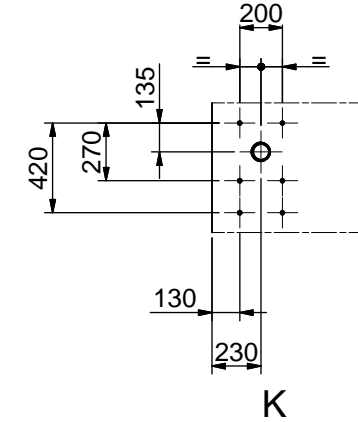
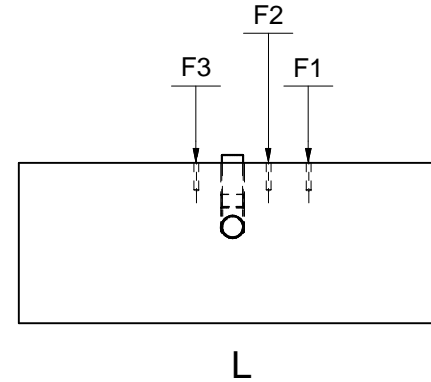
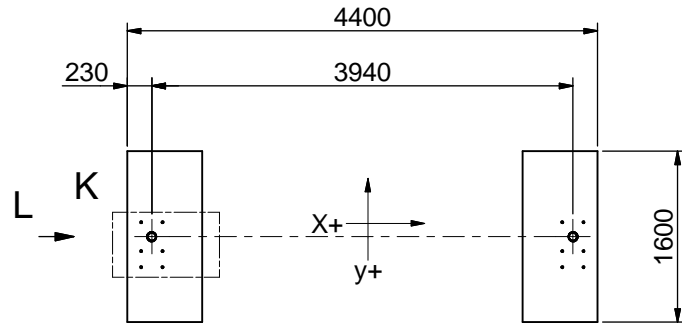


REV.:	REVISION DESCRIPTION:	NAME:	DATE:	CHK. BY:
DRAWN BY: ev	DATE: 4-3-2016	ARTICLE CODE:	PRINCIPAL:	
UNIT: mm	TOL.: ±0,5; ±1°	SAP NO: / PROJECT:		
SCALE: 1 : 50	PROJ.:	FORMAT: A3	DRAWING TITLE:	
MASS: 2226,53 kg			sGate foundation trackless and top guided	
P.O. Box 30, 5688 ZG Oirschot, The Netherlands T +31 (0)499-551255 I www.heras.com F +31 (0)499-551799 E infoNL@heras.nl		PROJECT CODE:	PROJECT NO:	DRAWING NO:
			REV NO:	SHEET: 2 v 6
This drawing is property of HERAS. Reproduction or disclosure to third parties in any form whatsoever is not allowed without explicit written consent of HERAS.				



DRAWN BY: ev	DATE: 4-3-2016	ARTICLE CODE:		PRINCIPAL:	
UNIT: mm	TOL.: $\pm 0,5; \pm 1^\circ$				
SCALE: 1 : 50	PROJ.:	FORMAT: A3	SAP NO: / PROJECT:		
MASS: 2,28 kg					
		DRAWING TITLE: sGate foundation trackless and top guided			
P.O. Box 30, 5688 ZG Oirschot, The Netherlands T +31 (0)499-551255 I www.heras.com F +31 (0)499-551799 E infoNL@heras.nl		PROJECT CODE:	PROJECT NO:	DRAWING NO:	REV NO: SHEET: 3 v 6
This drawing is property of HERAS. Reproduction or disclosure to third parties in any form whatsoever is not allowed without explicit written consent of HERAS.					

Only for top guided sGates with bar or perforated sheet infill of up to maximum 2.50 meter height.



Force on Anchors	Dimensions (WxH), (m)	Rd(KN)			Nc,Rd(KN)			Vy,Rd(KN)		
		F1	F2	F3	F1	F2	F3	F1	F2	F3
Bars	6,0x4,0	1,0	31,0	32,0	2,0	35,0	32,0	2,0	2,0	2,0
Full Plating	3,0x4,0	1,0	35,0	36,0	2,0	38,0	36,0	2,0	2,0	2,0
	3,5x4,0	1,0	36,0	36,0	2,0	38,0	36,0	2,0	2,0	2,0
	4,0x3,0	1,0	27,0	28,0	2,0	30,0	27,0	2,0	2,0	2,0
	4,5x2,5	0,0	18,0	19,0	1,0	21,0	18,0	2,0	2,0	2,0
	5,0x2,0	0,0	12,0	14,0	1,0	16,0	13,0	2,0	2,0	2,0
Perforated Plating (Wind permeability)	4,5x4,0	1,0	31,0	32,0	2,0	34,0	32,0	2,0	2,0	2,0
	5,0x3,5	0,0	23,0	24,0	2,0	24,0	24,0	2,0	2,0	2,0
	5,5x3,0	0,0	18,0	20,0	1,0	19,0	19,0	2,0	2,0	2,0
	6,0x2,5	0,0	16,0	18,0	1,0	17,0	17,0	1,0	1,0	1,0

Explanation of the abbreviations:

Nt,Rd = pull force on anchors in KN

Nc,Rd = gravitational force on anchors in KN (starting point is that the footplates are not undercut)

Vy,Rd = sideward force on anchors in KN (in the wind direction)

Remarks:

* the transverse forces occur evenly with the pull and gravitational forces

* the values in the table are rounded to whole numbers

* the calculated values

EN

Concrete quality: C35/45

Environmental class: XC4, XD3, XF2, XA2

Reinforcement : B500b

Cover around : 45mm

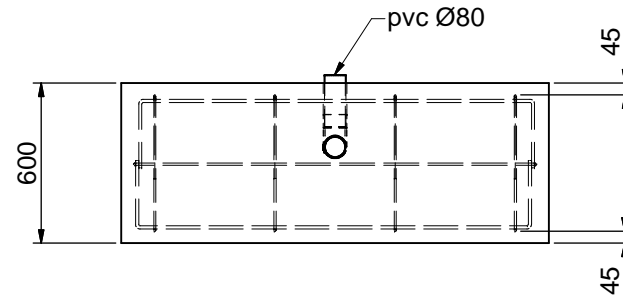
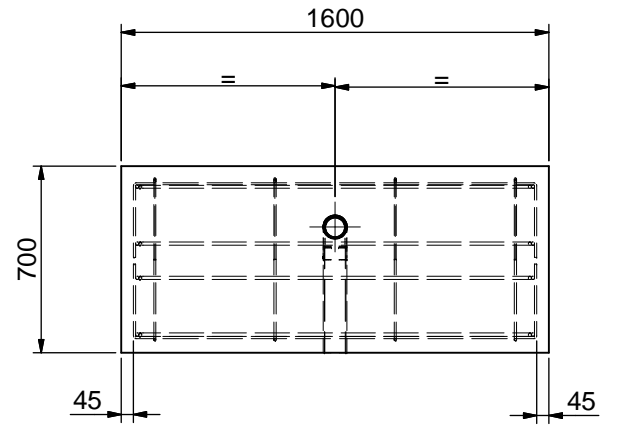
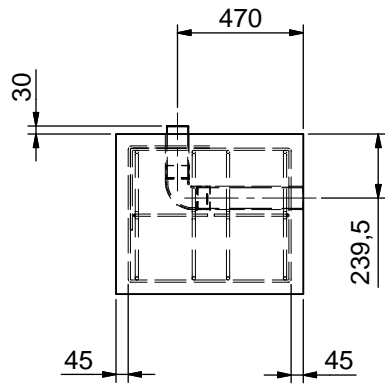
Specifications of the underground:

Degree of densification 6.0 MPA for cone resistance

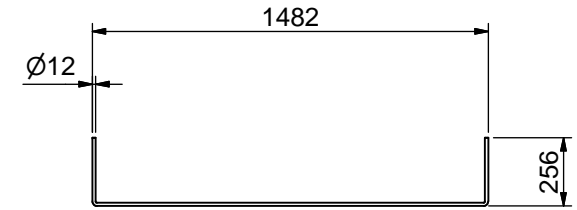
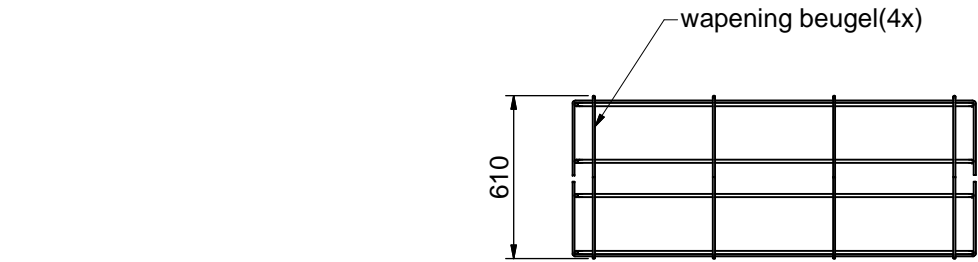
At least 10cm sand under concrete foundation

Deviations in execution without permission from Heras are not permitted

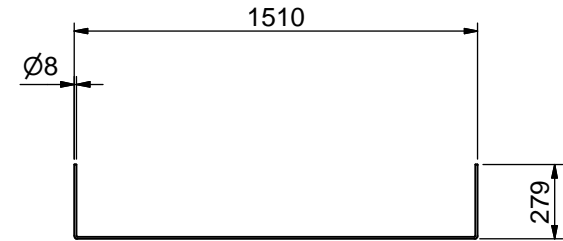
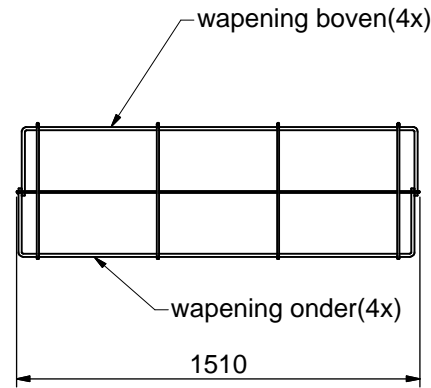
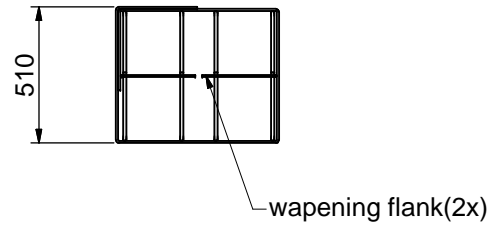
DRAWN BY: ev	DATE: 4-3-2016	ARTICLE CODE:		PRINCIPAL:	
UNIT: mm	TOL.: ±0,5; ±1°				
SCALE: 1 : 50	PROJ.:	FORMAT: A3	SAP NO. / PROJECT:		
MASS: 3112,47 kg					
		DRAWING TITLE: sGate foundation trackless and top guided			
P.O. Box 30, 5688 ZG Oirschot, The Netherlands T +31 (0)499-551255 I www.heras.com F +31 (0)499-551799 E infoNL@heras.nl		PROJECT CODE:	PROJECT NO:	DRAWING NO:	REV NO: SHEET: 4 v 6
This drawing is property of HERAS. Reproduction or disclosure to third parties in any form whatsoever is not allowed without explicit written consent of HERAS.					



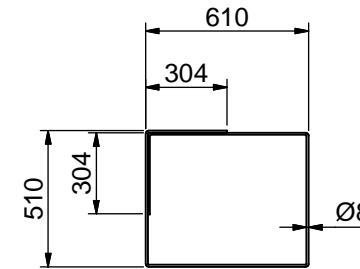
DRAWN BY: ev	DATE: 4-3-2016	ARTICLE CODE:		PRINCIPAL:	
UNIT: mm	TOL.: ±0,5; ±1°				
SCALE: 1 : 50	PROJ.:	FORMAT:	SAP NO: / PROJECT:		
MASS: 1556,24 kg		A3			
		DRAWING TITLE: sGate foundation trackless and top guided			
P.O. Box 30, 5688 ZG Oirschot, The Netherlands T +31 (0)499-551255 I www.heras.com F +31 (0)499-551799 E infoNL@heras.nl		PROJECT CODE:	PROJECT NO:	DRAWING NO:	REV NO: SHEET: 5 v 6
This drawing is property of HERAS. Reproduction or disclosure to third parties in any form whatsoever is not allowed without explicit written consent of HERAS.					





wapening boven/onder



wapening flank



wapening beugel

DRAWN BY: ev	DATE: 4-3-2016	ARTICLE CODE:		PRINCIPAL:	
UNIT: mm	TOL.: ±0,5; ±1°				
SCALE: 1 : 50	PROJ.: 	FORMAT: A3	SAP NO: / PROJECT:		
MASS: 1,74 kg					
		DRAWING TITLE: sGate foundation trackless and top guided			
P.O. Box 30, 5688 ZG Oirschot, The Netherlands T +31 (0)499-551255 I www.heras.com F +31 (0)499-551799 E infoNL@heras.nl		PROJECT CODE:	PROJECT NO:	DRAWING NO:	REV NO: SHEET: 6 v 6
This drawing is property of HERAS. Reproduction or disclosure to third parties in any form whatsoever is not allowed without explicit written consent of HERAS.					